



CPD 40/45/50

GB2/ GD2/ GD3-600

HELI



ANHUI HELI CO., LTD.

Add / No.668, FangXing Road, Hefei, China
Fax / +86-551-63639966
Tel / +86-551-63639068(America); 63639258(Europe);
63639358(Asia); 63662105(Africa & Middle East)



LinkedIn



YouTube



Facebook

* Our products are subject to improvements and changes without notice.

PL1631002E4
Design&Print:Fokell Printing 20221123



4-5 t

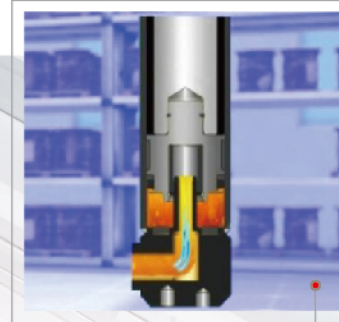
G3 series
AC Electric Forklift Truck

4-5 t

G3 series AC Electric Forklift Truck

Perfect Combination of Aesthetics and Functional Design

New generation with characteristics of smart, safe, high efficiency, energy saving and environment friendly

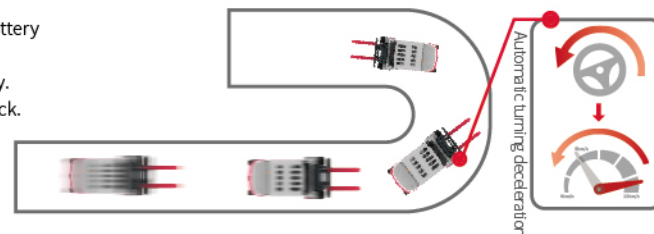


High Reliability

- Maintenance-free integrated axle which is mature and has been tested by market is used on the truck.
- Oil-cooled wet disc type brake is free from maintenance.
- Maintenance-free AC motors are used for driving and pump motors.
- World famous controller is used.
- Large smart instrument can monitor the truck state overallly and it is safe and reliable.

High Safety

- Tail-free structure reduces the center of gravity and improves lateral stability.
- High strength and integrated type welded overhead guard improves safety.
- Side-pulling battery changing way is standard configuration and improves battery changing efficiency.
- Middle-positioned battery reduces the center of gravity and improves stability.
- High positioned rotation point of rear axle improves lateral stability of the truck.
- Automatic deceleration when steering improves working safety.
- Mast lifting buffering improves operation safety.



Easy Maintenance

- The controller is inside of the balanceweight and it is easy for maintenance.
- Removable oil tank and floor board make maintenance easier.

More Energy Saving

- LED lights are more energy saving.
- Independent steering system is energy saving and high efficiency.
- Special tyres for electric trucks are adopted and make travelling more energy saving.
- Steering unit with super low torque is more energy saving.

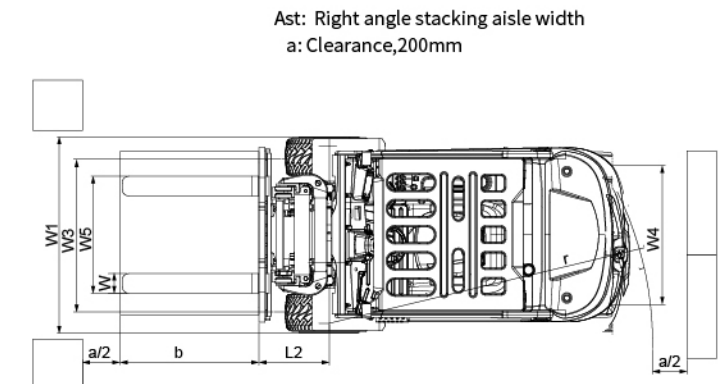
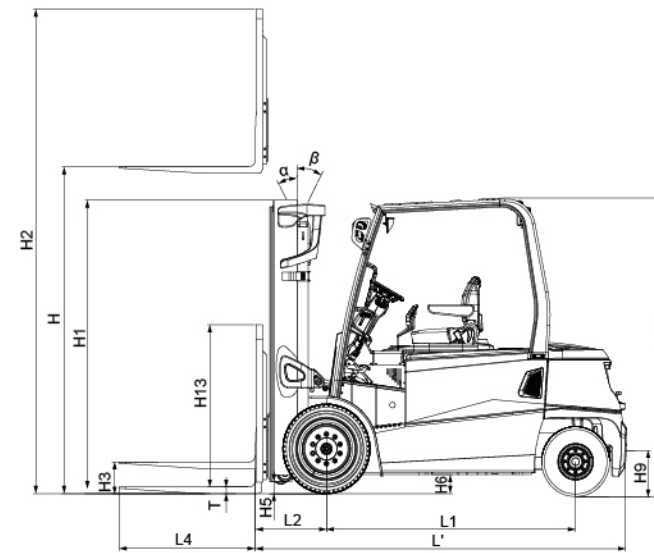
Improved man-machine comfort

- Mast lifting and falling buffering makes operation safe and comfortable.
- The truck has lower pedal height and larger egress and ingress space.
- Standard configuration of steering activated by steering wheel reduces steering process.
- Suspension seat and wide view mast improve driving experience.
- Optimal battery layout and design of counterbalance improve the rear view.
- Lower layout of tilting cylinder improves the space for legs.



Manufacturer's Data and Design Characteristics

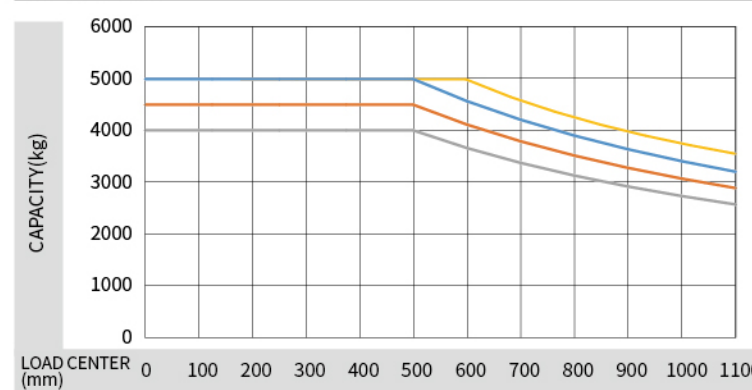
Character		HELI						
1.01	Manufacturer							
1.02	Model							
1.03	Configuration number		CPD40	CPD45	CPD50	CPD50	CPD50	
1.04	Rated capacity	Q	kg	4000	4500	5000	5000	5000
1.05	Load center distance	c	mm	500	500	500	500	600
1.06	Power mode	Electric						
1.07	Driving mode	Seated						
1.08	Wheel base	L1	mm	1960	1960	1960	2100	2100
Tyre								
2.01	Tyre type	SE						
2.02	Wheel number, front/rear	2/2						
2.03	Track width, front	W3	mm	1120	1120	1189	1189	1189
2.04	Track width, rear	W4	mm	1070	1070	1070	1070	1070
2.05	Tyre Size, front	250-15						
2.06	Tyre Size, rear	21x8-9						
Size								
3.01	Front overhang	L2	mm	560	560	565	565	565
3.02	Mast tilt angle, front/rear	α/β	°	6/8	6/8	6/8	6/8	8/8
3.03	Height, mast lowered	H1	mm	2240	2240	2230	2230	2230
3.04	Free lift	H3	mm	150	150	150	150	150
3.05	Standard mast lifting height	H	mm	3000	3000	3000	3000	3000
3.06	Height, mast extended	H2	mm	4235	4235	4225	4225	4355
3.07	Overhead guard height	H4	mm	2275	2275	2270	2270	2270
3.08	Fork size: thickness/width/length	T×W×L	mm	50/150/1070	50/150/1070	50/150/1070	50×150×1070	55×150×1220
3.09	Fork carriage ISO 2328, class/type A, B	4	mm	3A	3A	3A	3A	4A
3.10	Overall length, without forks	L'	mm	2920	2920	2920	3060	3060
3.11	Overall width	L'	mm	1350	1350	1500	1500	1500
3.12	Turning radius	W1	mm	2580	2580	2580	2695	2695
3.13	Ground clearance, laden, under mast	r	mm	140	140	130	130	130
3.14	Ground clearance, laden, centre of wheelbase	H5	mm	145	145	135	135	135
3.15	Right angle stacking aisle width (Pallet1000x1000mm, clearance 200mm)	H6	mm	4340	4340	4340	4460	4460
3.16	Right angle stacking aisle width (Pallet1200x1200mm, clearance 200mm)	Ast	mm	4540	4540	4540	4670	4670
3.17	Lateral fork adjustment Outside of forks, max/min	Ast	mm	1280/300	1280/300	1280/300	1280/300	1280/300
Performance								
4.01	Travelling speed, laden/unladen		km/h	14/15	14/15	14/15	14/15	14/15
4.02	Lifting speed, laden/unladen		mm/s	310/450	280/450	260/450	260/450	260/450
4.03	Lowering speed, laden/unladen		mm/s	500/450	500/450	500/450	500/450	500/450
4.04	Maximum gradeability, laden/unladen		%	16/27	15/26	14/25	14/25	15/25
4.05	Maximum traction force, laden		N	21000	21000	21000	21000	21000
Weight								
5.01	Service weight, with/without battery			6720/5130	6960/5130	7300/5470	7400/5250	8140/5990
5.02	Axle load, unladen, front/rear		kg	3350/3370	3475/3485	3455/3845	3626/3774	4100/4105
5.03	Axle load, laden, front/rear		kg	9470/1250	10380/1080	11190/1110	11200/1200	11870/1205
Battery								
6.01	Battery voltage/capacity k5		V/Ah	80/600 (80/700)	80/700 (80/725)	80/700 (80/725)	80/840 (80/900)	80/840 (80/900)
6.02	Battery weight		kg	1590	1830 FAAM	1830 FAAM	2150	2150
6.03	Battery standard			DIN 43536A	DIN 43536A	DIN 43536A	DIN 43536A	DIN 43536A
Motor and controller								
7.01	Drive motor power, S2-60minutes		kW	18	18	18	18	20
7.02	Lifting motor power, S3-15%		kW	26.5	26.5	26.5	26.5	26.5
7.03	Steering motor power, S3-15%		kW	2.5	2.5	2.5	2.5	2.5
7.04	Drive motor controlling mode			MOSFET/AC				
7.05	Lifting motor controlling mode			MOSFET/AC				
7.06	Steering motor controlling mode			MOSFET/AC				
Others								
8.01	Service brake/parking brake			Hydraulic/mechanical	Hydraulic/mechanical	Hydraulic/mechanical	Hydraulic/mechanical	Hydraulic/mechanical
8.02	Hydraulic system working pressure		Mpa	20	20	21.5	21.5	21.5
8.03	Type of drive control			ZAPI/INMOTION	ZAPI/INMOTION	ZAPI/INMOTION	ZAPI/INMOTION	INMOTION



Optional battery capacity						
Capacity (Ah)	600	625	700	725	840	900
CPD40-GB	●	○	○	○	-	-
CPD45-GB	-	-	●	○	-	-
CPD50-GB	-	-	●	○	-	-
CPD50-GD	-	-	-	-	●	○

Note: ● standard, ○ optional, - non-configurable

Load curve



- CPD40-GB3
- CPD45-GB3
- CPD50-GB3
- CPD50-GD3-600

Note: The vertical axis stands for load capacity and the horizontal axis stands for load center which is calculated from the front surface of the forks to the gravity of the standard load. The standard load means a cubic with 1000mm edge length. When mast is tilted forward, using non-standard forks or loading large goods, the load capacity will be reduced. The load capacity of standard mast at different load center can be known from this load chart.



HELI smart fleet management system

Vehicle positioning	Statistical form
Remote diagnosis	Vehicle management
Remote monitoring	Identification recognition (optional)
Maintenance reminder	Weight management (optional)
Battery management	Collision management (optional)



Reliable special designed instrument



下移键
上移键
减少键
增加键
确认键
取消键

Reliable special meter display the whole truck's working condition, fault detect and other important information completely which make the operator master the whole truck condition directly and conveniently.

Standard configuration	Optional device	
Standard mast	Mast with other lifting height	HELI smart fleet management system
Standard fork	Full free lift mast	Pneumatic tyre
Class III standard carrier	Side shifter(hook-on)	Finger tip
Two-spools valve	Other attachments	
Battery	Fork with other length	
Automatic water filling for battery	No marking tyre	
Full suspension seat	Cab	
Overhead guard	Left and right rearview mirror	
Solid tyres	Rear work light	
Traction pin	Fire extinguisher	
LED signal light, LED warning light(flashing)	Rotating warning light, voice buzzer	
USB interface	Blue warning light	
Automatic steering slow down device	Germany HOPPECKER battery	
Colour screen instrument(INMOTION)	Italy FAAM battery	

宽视野基本型门架

门架型号	最大起升高度 (mm)	承载能力 (kg)				门架全高 (mm)		自由起升 (mm)	整车自重 (kg)				门架倾角 (°) α/β 前/后
		载荷中心500 (mm)		载荷中心600 (mm)		货叉落地	货叉起升时 (带挡货架)		载荷中心500 (mm)		载荷中心600 (mm)		
		CPD40	CPD45	CPD50	CPD50				CPD40	CPD45	CPD50	CPD50	
M250	2500	4000	4500	5000	5000	1980	3733	150	6665	6905	7245	7682	8-8°
M300	3000	4000	4500	5000	5000	2230	4233	150	6720	6960	7300	7737	8-8°
M330	3300	4000	4500	5000	5000	2380	4533	150	6750	6990	7330	7769	8-8°
M350	3500	4000	4500	5000	5000	2480	4733	150	6770	7010	7350	7790	8-8°
M370	3700	4000	4450	4900	5000	2580	4933	150	6795	7035	7375	7812	8-8°
M400	4000	4000	4350	4750	5000	2780	5233	150	6835	7075	7415	7915	8-8°
M425	4250	4000	4250	4650	5000	2905	5483	150	6860	7100	7440	7942	8-8°
M450	4500	4000	4150	4500	4910	3030	5733	150	6890	7130	7470	7969	8-8°
M475	4750	3900	4100	4400	4830	3155	5983	150	6915	7155	7495	7997	8-8°
M500	5000	3800	4000	4300	4750	3280	6233	150	6945	7185	7525	8024	8-8°
M550	5500	3650	3800	4150	4580	3580	6733	150	7005	7245	7585	8149	6-5°
M600	6000	3400	3450	3850	4330	3830	7233	150	7060	7300	7640	8202	6-5°

宽视野二级全自由门架

门架型号	最大起升高度 (mm)	承载能力 (载荷中心为500mm) (kg)				门架全高 (mm)		自由起升 (带挡货架) (mm)	整车自重 (kg)				门架倾角 (°) α/β 前/后
		CPD40		CPD45		货叉落地	货叉起升时 (带挡货架)		CPD40		CPD45		
		CPD40	CPD45	CPD50	CPD50				CPD40	CPD45	CPD50	CPD50	
ZM250	2500	4000	4500	5000	1980	3733	777	6760	7000	7340	8-8°		
ZM261	2610	4000	4500	5000	2035	3792	832	6770	7010	7350	8-8°		
ZM300	3000	4000	4500	5000	2230	4233	1027	6820	7060	7400	8-8°		
ZM330	3300	4000	4500	5000	2380	4533	1177	6853	7093	7433	8-8°		
ZM350	3500	4000	4500	4900	2480	4733	1277	6883	7123	7463	8-8°		
ZM370	3700	4000	4400	4800	2580	4933	1377	6915	7155	7495	8-8°		
ZM400	4000	4000	4300	4650	2780	5233	1577	6965	7205	7545	8-8°		
ZM425	4250	4000	4200	4550	2905	5483	1702	6995	7235	7575	8-8°		
ZM450	4500	3950	4100	4450	3030	5733	1827	7033	7273	7613	8-8°		
ZM475	4750	3850	4050	4350	3155	5983	1952	7065	7305	7645	8-8°		
ZM500	5000	3750	3950	4250	3280	6233	2077	7100	7340	7680	8-8°		
ZM550	5500	3600	3750	4100	3580	6733	2377	7165	7405	7745	6-5°		
ZM600	6000	3350	3400	3800	3830	7233	2627	7220	7460	7800	6-5°		

注: 4-5t不带挡货架自由起升+271mm。

宽视野三级全自由门架

Mast model	Max. Lifting height (mm)	Load capacity (Load center 500mm) (kg)				门架全高 (mm)		自由起升 (mm)	整车自重 (kg)				门架倾角 (°) α/β 前/后
		载荷中心500 (mm)		载荷中心600 (mm)		货叉落地	货叉起升时 (带挡货架)		载荷中心500 (mm)		载荷中心600 (mm)		
		CPD40	CPD45	CPD50	CPD50				CPD40	CPD45	CPD50	CPD50	
ZSM360	3600	4000	4350	4900	5000	1930	4833	727	7130	7370	7545	8028	8-8°
ZSM400	4000	3950	4200	4750	5000	2070	5233	867	7180	7420	7595	8078	8-8°
ZSM435	4350	3850	4050	4450	4900	2180	5583	977	7210	7450	7625	8098	8-8°
ZSM450	4500	3800	4000	4400	4800	2230	5733	1027	7240	7480	7645	8128	8-8°
ZSM470	4700	3700	3950	4300	4750	2345	6033	1142	7280	7520	7670	8148	8-8°
ZSM500	5000	3600	3850	4200	4650	2480	6233	1277	7330	7570	7715	8198	8-8°
ZSM550	5500	3450	3700	4050	4550	2615	6633	1412	7450	7690	7845	8228	6-5°
ZSM600	6000	3250	3350	3650	4300	2850	7233	1647	7540	7780	7935	8418	6-5°
ZSM650	6500	2650	2750	3150	3850	3015	7733	1812	7600	7840	7995	8478	6-5°
ZSM700	7000	2150	2250	2650	3300	3215	8233	2012	7670	7910	8065	8548	6-5°

注: 4-5t不带挡货架自由起升+310mm。