

HELI



Standard Configuration

- Curtis Controller
- AC Drive System
- EPS (TKA10)
- High Capacity Battery
- Oil Cut-off Safe Valve
- Safety Lock Of Forward Cylinder
- Adjustbale Wheelbase
- Curve Control Technology
- Solid Tyre

Optional

- Side Shifter
- Rear Rubber Tyre
- Non-marking Wheel
- Imported Battery
- Safety Belt
- Led Head Lamp
- Special Use For Drive-in Rack
- Explosion-proof Use

3-WHEEL ELECTRIC FORKLIFT TRUCK

- Load capacity 1000-1500 Kg
- Lift Height :3000-4500mm
- The Design of adjustable wheelbase
- Mini Design (For floors' using)

ГРУППА КОМПАНИЙ
FORKLIFT
8 (800) 550-22-75
(Звонок по России бесплатный)
helisib.ru

Новосибирск, ул. Станционная, 17/1
(383) 291-22-75, sale@helisib.ru

Барнаул, проспект Калинина, 28Е
(3852) 600-673, barnaul@helisib.ru

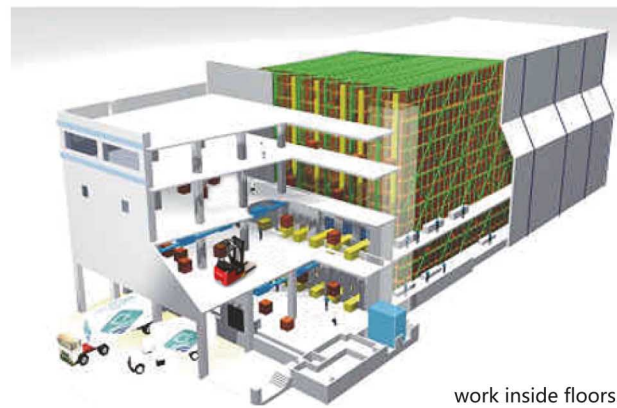
Томск, переулок Никольский, 1
(3822) 977-600, tomsk@helisib.ru



HELI

VALUE (Based On High Efficient Design Concept)

Small volume and light weight are convenient to get in and out of elevators. It's the best choice to work inside floors.



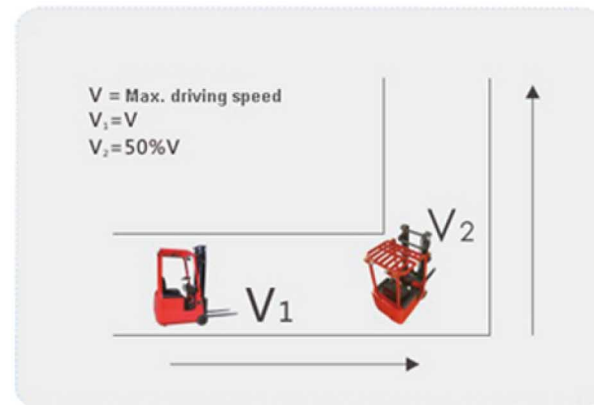
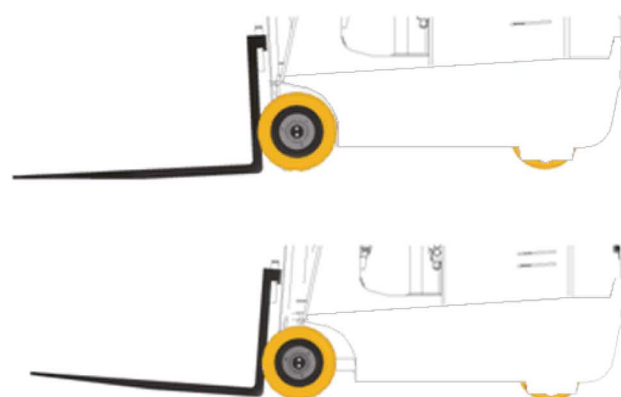
work inside floors.

Adjustable wheelbase: when the mast tilts forward, the wheelbase is smaller, the turning radius is smaller with it, more nimble. When the mast tilts backward, the wheelbase is bigger, strengthens the stability of the forklift.

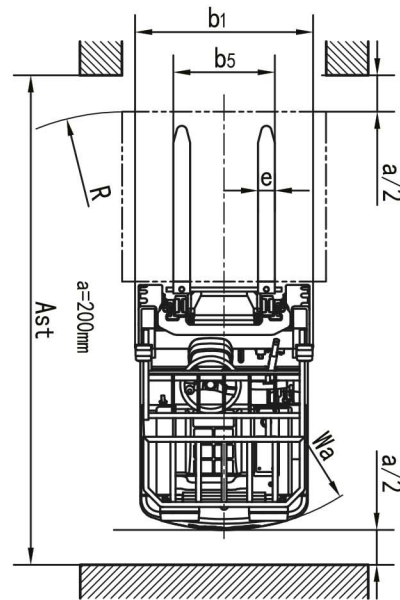
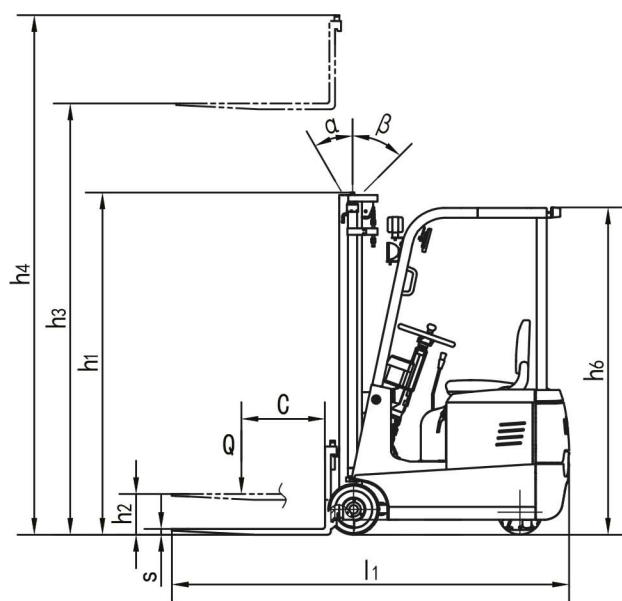
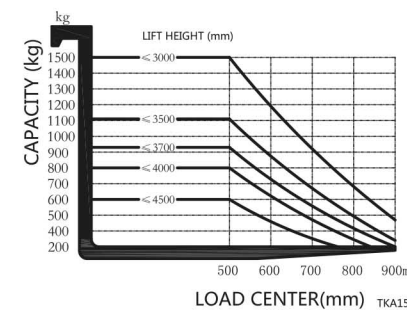
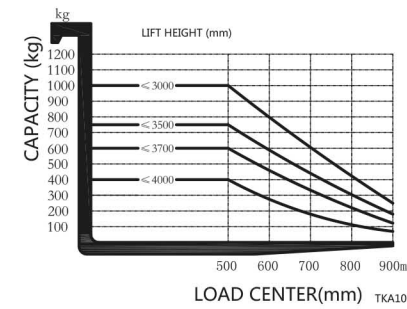
EPS(standard equipment) reduces 20% capacity consumption, strengthens cruising power ability.

Driving parallel arrangement, direct transmission reduces capacity consumption maximumly. Compact structure of the driving system makes more use of the space of the forklift, lifts transmission efficiency, reduces capacity consumption and noise.

Curve control technology: when the forklift turns, the curve control technology can reduce its driving speed automatically, it connects dynamic stable safe system with much low gravity center function, to protect the goods and operator in safe condition.



LOAD CHART



HELI

Function			
1.1	Brand		HELI
1.2	Model		CPD10M CPD15M
1.3	Power Type		Electric
1.4	Operation Type		Seated
1.5	Rated Capacity	Q(kg)	1000 1500
1.6	Load Center	C(mm)	500 500

Weight			
2.1	Service weight(incl. battery)	kg	1700 2320

Tyre			
3.1	Tyres,front/rear		PU PU/Solid Rubber
3.2	Tyre size,front	mm	φ285×100 φ305×140
3.3	Tyre size,rear	mm	φ230×90 φ267×127

Dimension			
4.1	Tilt of fork forward/backward	α/β(°)	2/4 2/4
4.2	Height-Mast Lowered	h1(mm)	1995 2065
4.3	Free lift height	h2(mm)	110 /
4.4	Lift height	h3(mm)	3000 3000
4.5	Height-Mast extended	h4(mm)	3530 3560
4.6	Height-Overhead guard	h6(mm)	1965 1965
4.7	Overall Length	L1(mm)	2330 2390
4.8	Overall Width	b1(mm)	880 1055
4.9	Fork Dimensions	l/e/s(mm)	920/100/32 920/100/35
4.10	Distance between fork-arms	b5(mm)	220~620 220~658
4.11	Aisle width for pallet 1000*1200 crossways	Ast(mm)	2760 2815
4.12	Aisle width for pallet 1200*800 crossways	Ast(mm)	2870 2930
4.13	Turning radius	Wa(mm)	1245 1295

Function			
5.1	Travel Speed ,laden/unladen	km/h	5/6 6/7
5.2	Lift Speed ,laden/unladen	mm/s	100/130 100/170
5.3	Lowering speed,laden/unladen	mm/s	140/120 150/115
5.4	(S2-5min)Gradeability,laden/unladen*	%(tanθ)	6/8 8/10
5.5	Brake Type		Hydraulic + Electromagnetic brake Hydraulic

Power			
6.1	(S2-60min)Drive Motor	kw	1.5 2.3
6.2	(S3-15%)Lift motor	kw	2 3.5
6.4	Battery voltage/capacity	V/Ah	24/300 24/480
6.5	Battery weight	kg	277 370
6.6	Steering type		EPS Hydraulic

HELI

Duplex Mast	Model		CPD10M			Triplex Mast
	Lift height	h3(mm)	3000	3500	4000	
Height-Mast extended	h4(mm)	3530	4030	4580		
Height-Mast Lowered	h1(mm)	1995	2245	2545		
Free lift height	h2(mm)	110	110	110		
Triplex Mast	Model		CPD15M			
	Lift height	h3(mm)	3000	3500	4000	4500
	Height-Mast extended	h4(mm)	3560	4060	4560	5180
	Height-Mast Lowered	h1(mm)	2065	2315	2615	2100
Free lift height	h2(mm)	/	/	/	/	