

75THCJ10-CS

7.5吨伸缩臂越野叉车 7.5 tons telescopic Handlers



安徽好运机械有限公司
ANHUI HAORYUN MACHINERY CO.,LTD.

地址:安徽省合肥市经济技术开发区桃花工业园汤口路32号
(Address: No. 32, Tangkou Road, Taohua Industrial Park, Hefei Economic and Technological Development Zone, Anhui Province)
客服热线(Customer service hotline): 0551-62572960 服务电话(Customer service phone): 0551-62572940

*The Company reserves the right to change product design and specifications without prior notice.

设计印刷: 孚可立印务 20231018

- 额定载荷: 7500kg
- 最大举升高度: 10.28m
- 最大前伸距: 5.47m
- 传动方式: 静液压传动
- 转向模式: 4轮转向、前轮转向、蟹行转向

- Maximum capacity: 7500kg
- Maximum lifting height: 10.28m
- Maximum horizontal extension: 5.47m
- Transmission mode: Hydrostatic drive
- Steering mode: 4 wheel steering, front wheel steering, crab steering

75THCJ10-CS

举升能力 Lifting capacity

额定载荷 Maximum capacity	7500kg
最远前伸距离 Maximum horizontal extension	5473mm
最大提升高度 Maximum lifting height	10283mm

尺寸 Dimensions

A总长 Overall length	6871mm
B宽度(车体) Overall width(car body)	2500mm
B1宽度(支腿支撑) Overall width(With stabilizers extended)	3479mm
B2宽度(挡泥板) Overall width(fender)	2540mm
C高度 Overall height	2715mm
D轴距 Wheel base	3300mm
D1前支撑距 Front support distance	1300mm
E底座离地间隙 Ground clearance	420mm
F轮距 Wheel tread	2125mm
M前悬距 Front overhang	2213mm
N后悬距 Rear overhang	1358mm
G驾驶室外部宽度 Outside width of cab	940mm
H纵向通过角度 Vehicle passing angle	17.5°
J车辆离去角度 Vehicle departure angle	32.4°
K货叉向上倾角 Fork up Angle	12°
L货叉向下倾角 Fork dip Angle	110°
R转弯半径(轮胎外侧) Turning radius(outside of tire)	4908mm

工作时间(空载) Working time(no load)

举升 Luffing time(rising)	20S
下降 Luffing time(falling)	13S
外伸 Extension time	17S
回缩 Retraction time	11S
上倾翻 Upturn time	5.6S
下倾翻 Flip down time	5.8S

发动机 Engine

生产厂家 Manufacturer	东风康明斯 Dongfeng Cummins
排放标准 Emission standard	国三/欧III A National Tier 3/EU Stagelll A
型号 Model	QSB4.5-C160-30
排量 Displacement	4.5L
额定功率/转速 Rated power/speed	119kw@2200rpm
最大扭矩/转速 Maximum torque/RPM	624Nm@1500rpm
牵引力 Traction force	67kN

传动系统 Transmission system

传动方式 Transmission Type	静液压传动 Hydrostatic drive
档位数(前进/后退) Number of gears(forward/backward)	2/2
最大行驶速度 Maximum travelling speed	32km/h
驻车制动型式 Parking brake type	电子驻车制动 Electronic Parking Brake
行车制动型式 Service brake type	湿式制动 Wet Brake

液压系统 Hydraulic system

泵的类型 Type of pump	负载敏感泵 Load Sensitive Pump
最大流量-压力 Maximum flow - pressure	180 L/min - 270 bar

油箱容量 Tank capacity

发动机机油 Engine oil	12L
液压油 Hydraulic oil	240L
燃油 Fuel oil	120L
冷却液 coolant	22L

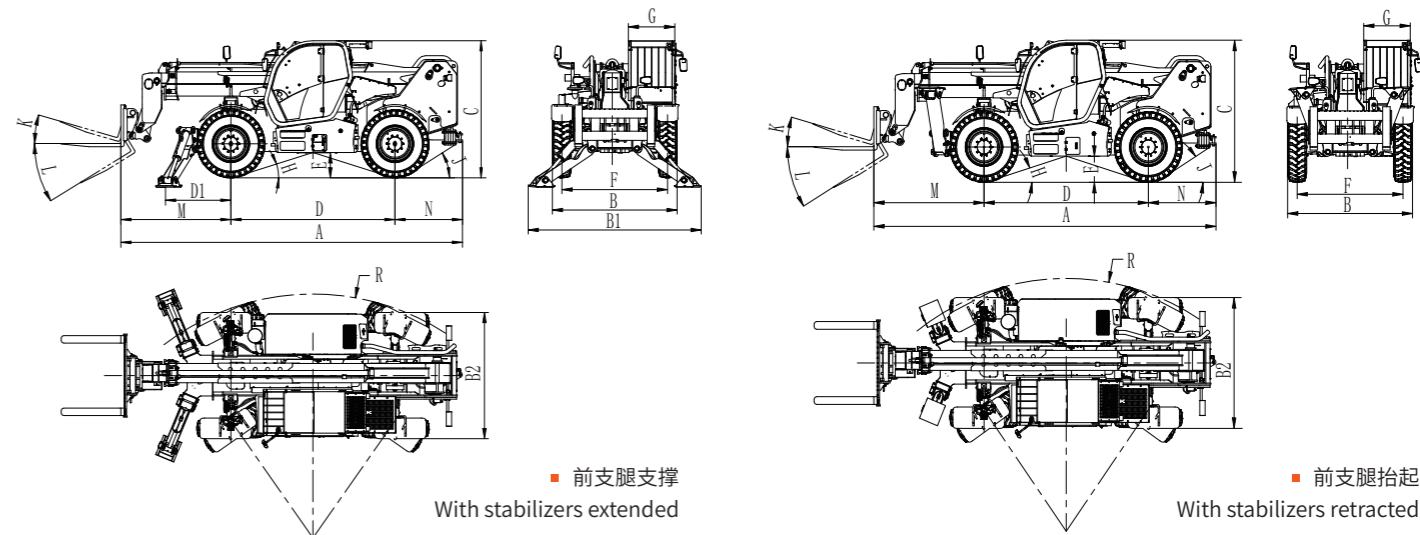
其它 Other

空载重量(含货叉) Unladen weight(With fork)	15900kg
标准轮胎 Standard tires	14.00-24-32PR (T17)
标准货叉 Standard forks	1220mm×150mm×65mm

可选属具 Optional fixtures

- 可调式高空作业平台 Extendible platform
- 固定式高空作业平台 Fixed platform
- 固定式起吊直臂 Straight crane jib
- 自升降起吊直臂 Straight crane jib with winch
- 固定式起吊弯臂 Fixed lifting arm
- 自升降起吊弯臂 Bent boom with winch
- 铲斗 Bucket

75THCJ10-CS 外形及尺寸 Appearance and Dimensions



尺寸 Dimensions(mm)

A	B	B1	B2	C	D1	E	F	M	N	G	H	J	K	L	R
6871	2500	3479	2540	2715	1300	420	2125	2213	1358	940	17.5°	32.4°	12°	110°	4908

75THCJ10-CS 载荷曲线图 Lifting diagram

